

PREVECTRON® 3 S40

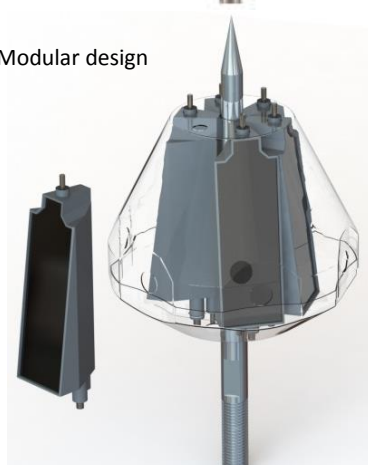
EARLY STEAMER EMISSION AIR TERMINAL (ESE)

Reference	P1523	
Characteristics		
Efficiency	ΔT	40 μs
Standard deviation ESE / Single Rod	σ	$\sigma_{PDA} < 0.57 \sigma_{PTS}$
Lightning current withstanding test (10/350 μs)	I_{imp}	100kA (normative test)
Max. current withstanding test	I_{max}	200 kA (Unicamp)
Net Weight	P	3.000 kg
Operating principles		
Detection of download leader	Continuous measuring of electric field gradient ($\Delta E/\Delta t$)	
Upward streamer development conditions	Patented OPTIMAX® technology optimizing the streamer development conditions	
Upward streamer emission	Sparking by High Voltage Impulses	
Internal circuits	3 independent and synchronised modules	
Central rod	Full electrical continuity 200mm ² section – Nickel plated Copper	
Metal housing	Stainless Steel 316, Electromagnetic shielding	
On-site testing capabilities	Proprietary tester	
Maintenance	Replaceable modules	
Warranty	5 years	
Mechanical specifications		
Fixing on pole	M20 Thread	
Down conductor connection	Specific clamp ref P6500 (included)	
Packaging		
Dimensions	438 x 228 x 220 mm	
Contents	Prevectron®3, Down conductor clamp, Hex key	
Gross Weight	4.750 kg	
Environmental sustainability	100% recyclable	
Certifications		
NF C 17 102:2011, Annex C	Bureau Veritas certificate N°6275241/2/1/3	
Qualifoudre	Ineris certificate N° N°051166662001	
ISO 9001 : 2015 (Quality System)	Bureau Veritas certificate	
CE Marking	Attest report N°IND-CE-21092015-C	
Underwriter Laboratories (UL)	UL Certified E478687	
Rostechnadzor (RTN Russia)	N° RRS 00-05003	
Eco -label	AFAQ N°1335.2 11/2014 Certificate	

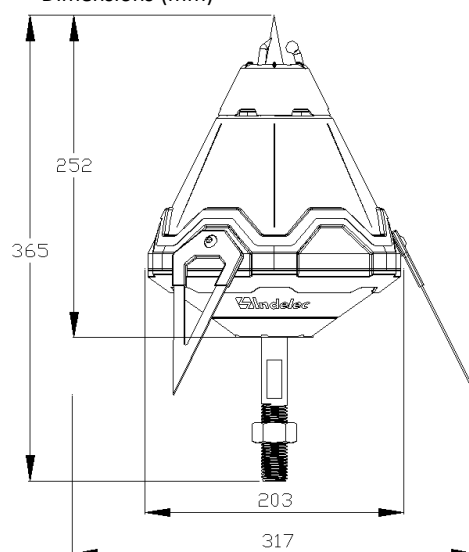
PREVECTRON 3® S40



Modular design



Dimensions (mm)



DOC167a.VEN-Rev0

